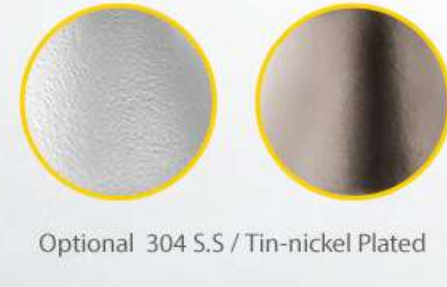


A TYPE KEG COUPLER



Optional with/ without pressure relief



Optional 304 S.S / Tin-nickel Plated



Bottom of Coupler

Top of Spear

OPTIONAL MODELS



PART NO.: 1021718
304S.S Body, 304 S.S Probe
With Pressure Relief Valve



PART NO.: 1021710
Tin-nickel Brass Body, 304 S.S Probe
With Pressure Relief Valve

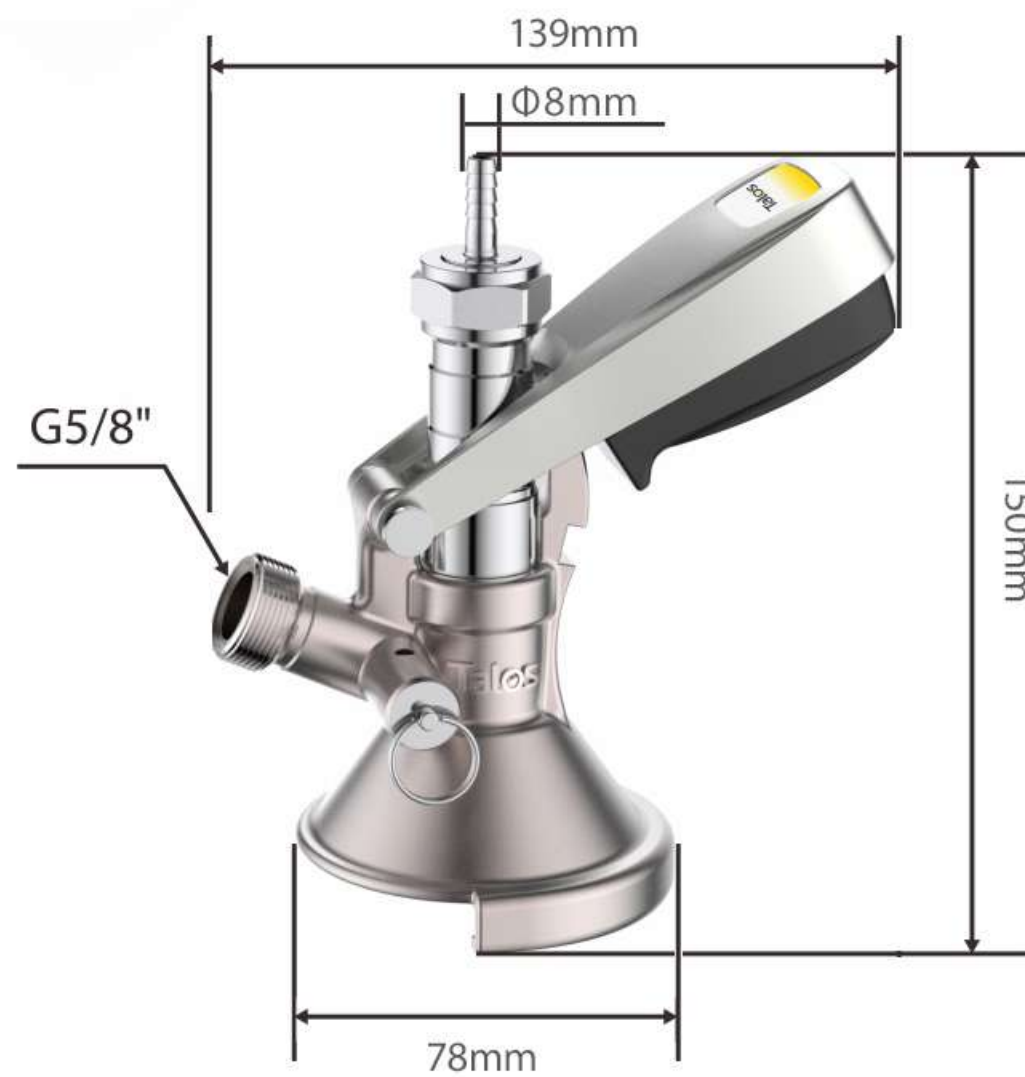


PART NO.: 1021618
304S.S Body, 304 S.S Probe
Without Pressure Relief Valve



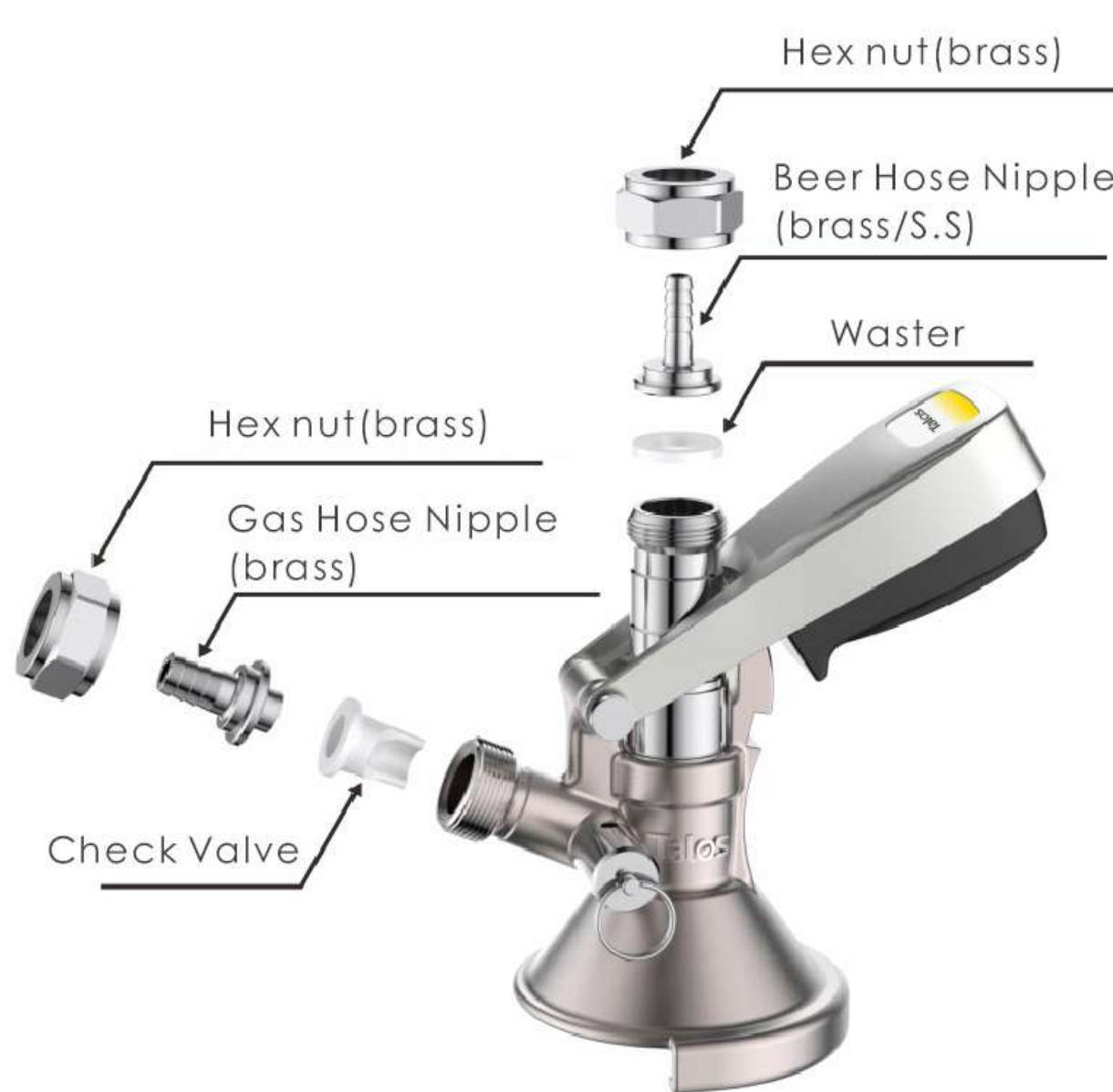
PART NO.: 1021610
Tin-nickel Brass Body, 304 S.S Probe
Without Pressure Relief Valve

SPECIFICATIONS



Part No.	Probe	Body	Handle	Finish	PRV Working Pressure	Gas Hose Nipple
1021610	304 S.S	Brass	304 S.S	Tin-nickel Plated	/	φ8mm
1021618	304 S.S	304 S.S	304 S.S	S.S	/	φ8mm
1021710	304 S.S	Brass	304 S.S	Tin-nickel Plated	46~55 PSI	φ10mm
1021718	304 S.S	304 S.S	304 S.S	S.S	46~55 PSI	φ10mm

REPLACEMENT PARTS



PACKAGING



Part No.	N.W./PC (kg)	Inner Box Size	G.W./PC (kg)	Pcs/Ctn	Carton Size	G.W./Ctn
1021610	0.90	16.8cm Lx8.5cm Wx12cm H	1.00	20	44cm Lx35cm Wx26cm H	20.40
1021618	0.90	16.8cm Lx8.5cm Wx12cm H	1.00	20	44cm Lx35cm Wx26cm H	20.40
1021710	0.90	16.8cm Lx8.5cm Wx12cm H	1.00	20	44cm Lx35cm Wx26cm H	20.40
1021718	0.90	16.8cm Lx8.5cm Wx12cm H	1.00	20	44cm Lx35cm Wx26cm H	20.40

PRODUCT SELECTION GUIDE

A Type Coupler



S Type Coupler



D Type Coupler



G Type Coupler



F Type Coupler



M Type Coupler



U Type Coupler

