

U TYPE KEG COUPLER



Optional with/ without pressure relief



OPTIONAL MODELS

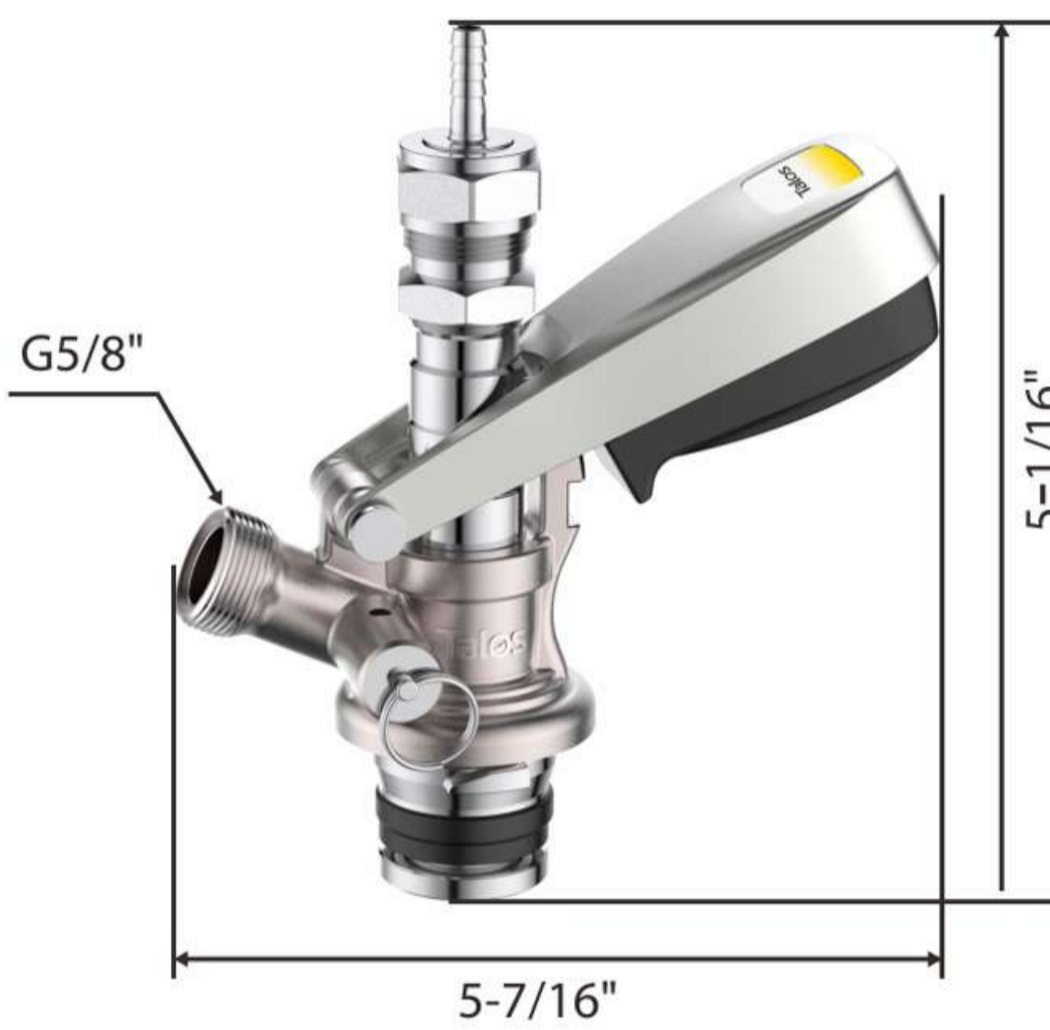


PART NO.: 1026601
304S.S Body, 304 S.S Probe
Without Pressure Relief Valve



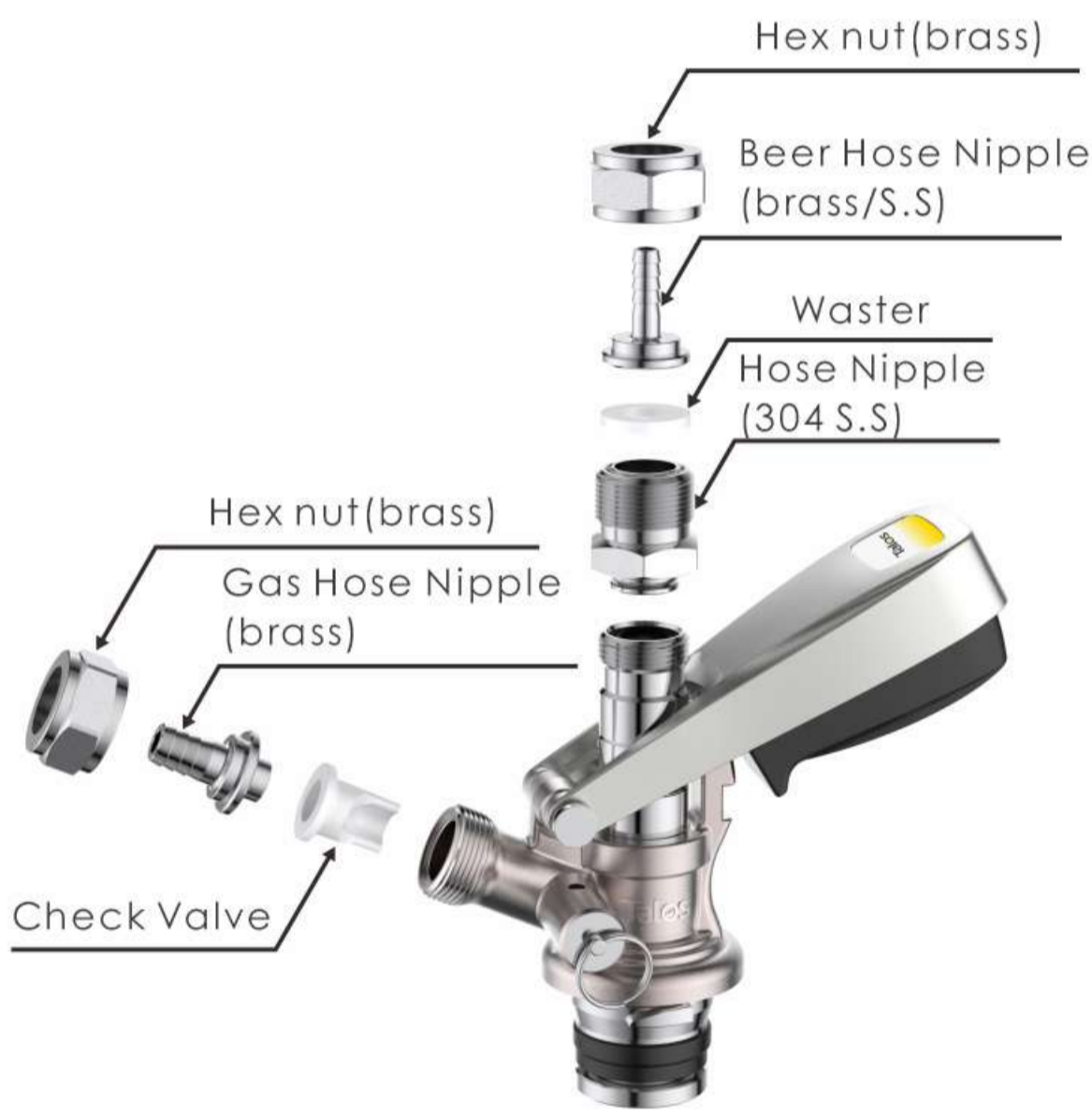
PART NO.: 1026701
Tin-nickel Brass Body, 304 S.S Probe
Without Pressure Relief Valve

SPECIFICATIONS



Part No.	Probe	Body	Handle	Finish	PRV Working Pressure	Gas Hose Nipple
1026601	304 S.S	Brass	304 S.S	Tin-nickel Plated	/	φ8mm
1026701	304 S.S	Brass	304 S.S	Tin-nickel Plated	46~55 PSI	φ10mm

REPLACEMENT PARTS



PACKAGING INFORMATION



Part No.	N.W./PC (kg)	Inner Box Size	G.W./PC (kg)	Pcs/Ctn	Carton Size	G.W./Ctn
1026601	0.78	16.8cm Lx8.5cm Wx12cm H	0.87	20	44cm Lx35cm Wx26cm H	18.00
1026701	0.78	16.8cm Lx8.5cm Wx12cm H	0.87	20	44cm Lx35cm Wx26cm H	18.00

PRODUCT SELECTION GUIDE

A Type Coupler



S Type Coupler



D Type Coupler



G Type Coupler



F Type Coupler



M Type Coupler



U Type Coupler

