

# D TYPE KEG COUPLER



Optional with/ without pressure relief



Optional 304 S.S. / Tin-nickel Plated



## OPTIONAL MODELS



PART NO.: 1022704  
304S.S Body, 304 S.S Probe  
With Pressure Relief Valve



PART NO.: 1022701  
Tin-nickel Brass Body, 304 S.S Probe  
With Pressure Relief Valve

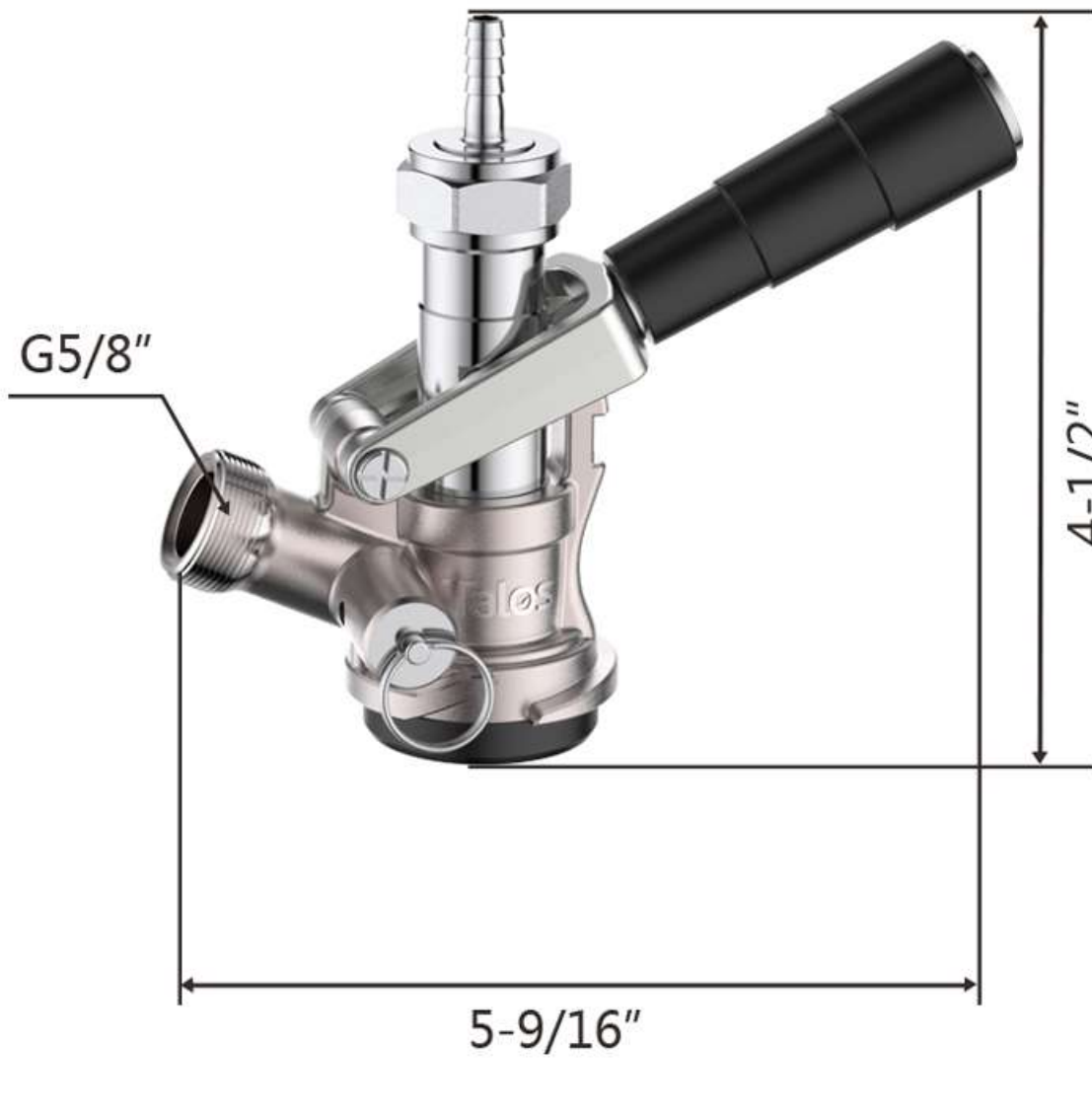


PART NO.: 1022618  
304S.S Body, 304 S.S Probe  
Without Pressure Relief Valve



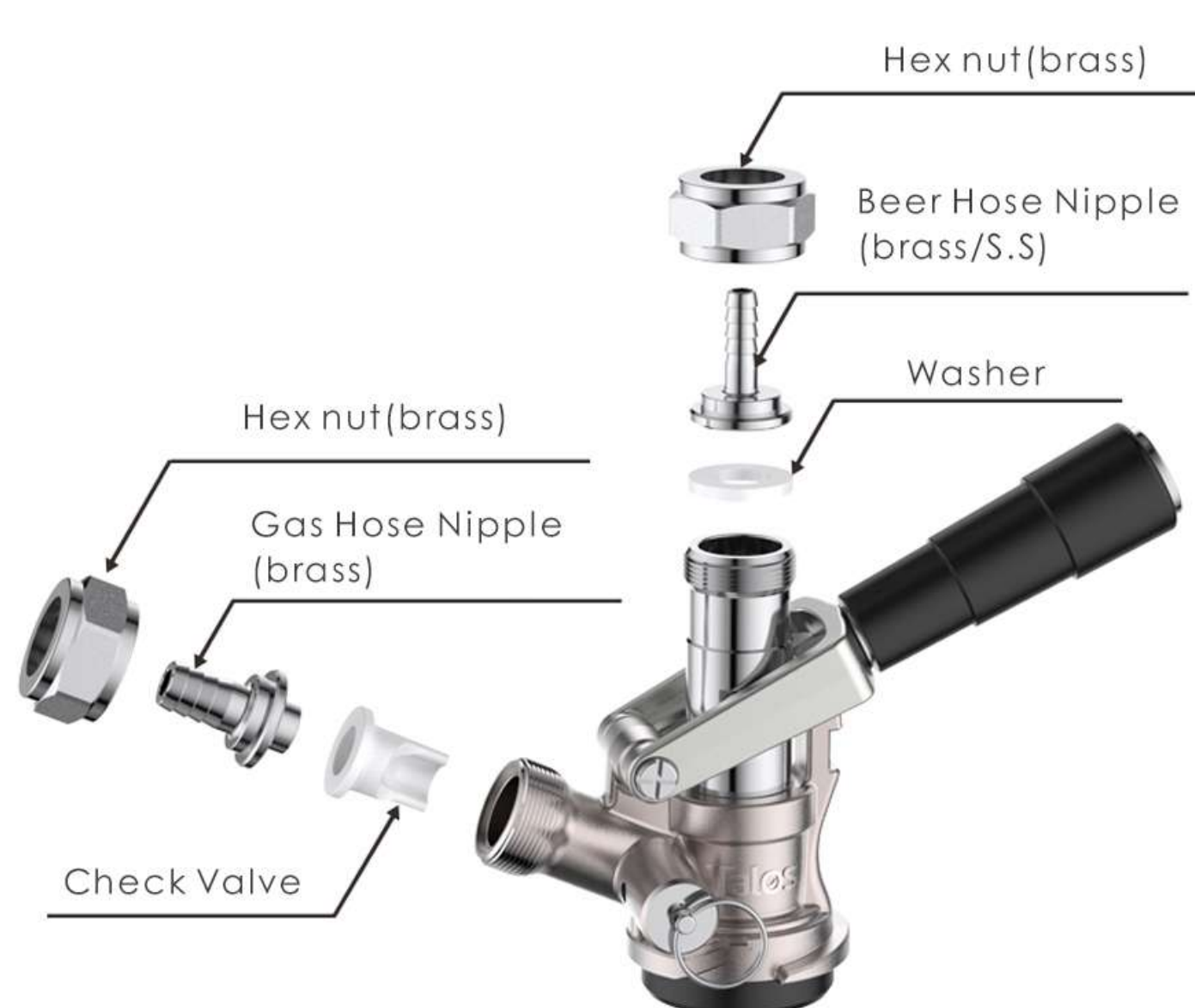
PART NO.: 1022601  
Tin-nickel Brass Body, 304 S.S Probe  
Without Pressure Relief Valve

## SPECIFICATIONS



Part No.	Probe	Body	Handle	Finish	PRV Working Pressure	Gas Hose Nipple
1022601	304 S.S	Brass	304 S.S	Tin-nickel Plated	/	φ8mm
1022618	304 S.S	304 S.S	304 S.S	S.S	/	φ8mm
1022701	304 S.S	Brass	304 S.S	Tin-nickel Plated	46~55 PSI	φ10mm
1022718	304 S.S	304 S.S	304 S.S	S.S	46~55 PSI	φ10mm
1022709	Brass	Brass	Brass	Tin-nickel Plated	46~55 PSI	φ10mm
1022704	304 S.S	Brass	Brass	Tin-nickel plated	46~55 PSI	φ10mm
1022720	304 S.S	304 S.S	304 S.S	S.S	46~55 PSI	φ10mm
1022719	Brass	Brass	Brass	Tin-nickel Plated	46~55 PSI	φ10mm

## REPLACEMENT PARTS



## PACKAGING



Part No.	N.W./PC (kg)	Inner Box Size	G.W./PC (kg)	Pcs/Ctn	Carton Size	G.W./Ctn
1022601	0.62	17.5cm Lx10cm Wx6cm H	0.68	40	41.5cm Lx36.5cm Wx32cm H	28.00
1022618	0.62	17.5cm Lx10cm Wx6cm H	0.68	40	41.5cm Lx36.5cm Wx32cm H	28.00
1022701	0.62	17.5cm Lx10cm Wx6cm H	0.68	40	41.5cm Lx36.5cm Wx32cm H	28.00
1022718	0.62	17.5cm Lx10cm Wx6cm H	0.68	40	41.5cm Lx36.5cm Wx32cm H	28.00
1022709	0.52	17.5cm Lx10cm Wx6cm H	0.58	40	41.5cm Lx36.5cm Wx32cm H	24.00
1022704	0.52	17.5cm Lx10cm Wx6cm H	0.58	40	41.5cm Lx36.5cm Wx32cm H	24.00
1022720	0.52	17.5cm Lx10cm Wx6cm H	0.58	40	41.5cm Lx36.5cm Wx32cm H	24.00
1022719	0.52	15cm Lx13.2cm Wx6.2cm H	0.52	20	33.5cm Lx31.5cm Wx28cm H	12.30

## PRODUCT SELECTION GUIDE

