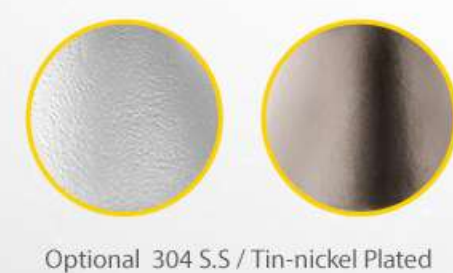


# G TYPE KEG COUPLER



Optional with/ without pressure relief



Optional 304 S.S / Tin-nickel Plated



Bottom of Coupler

Top of Spear

## PRODUCT DISPLAY



PART NO.: 1023718  
304 S.S Body, 304 S.S Probe  
With Pressure Relief Valve



PART NO.: 1023701  
Tin-nickel Brass Body, 304 S.S Probe  
With Pressure Relief Valve

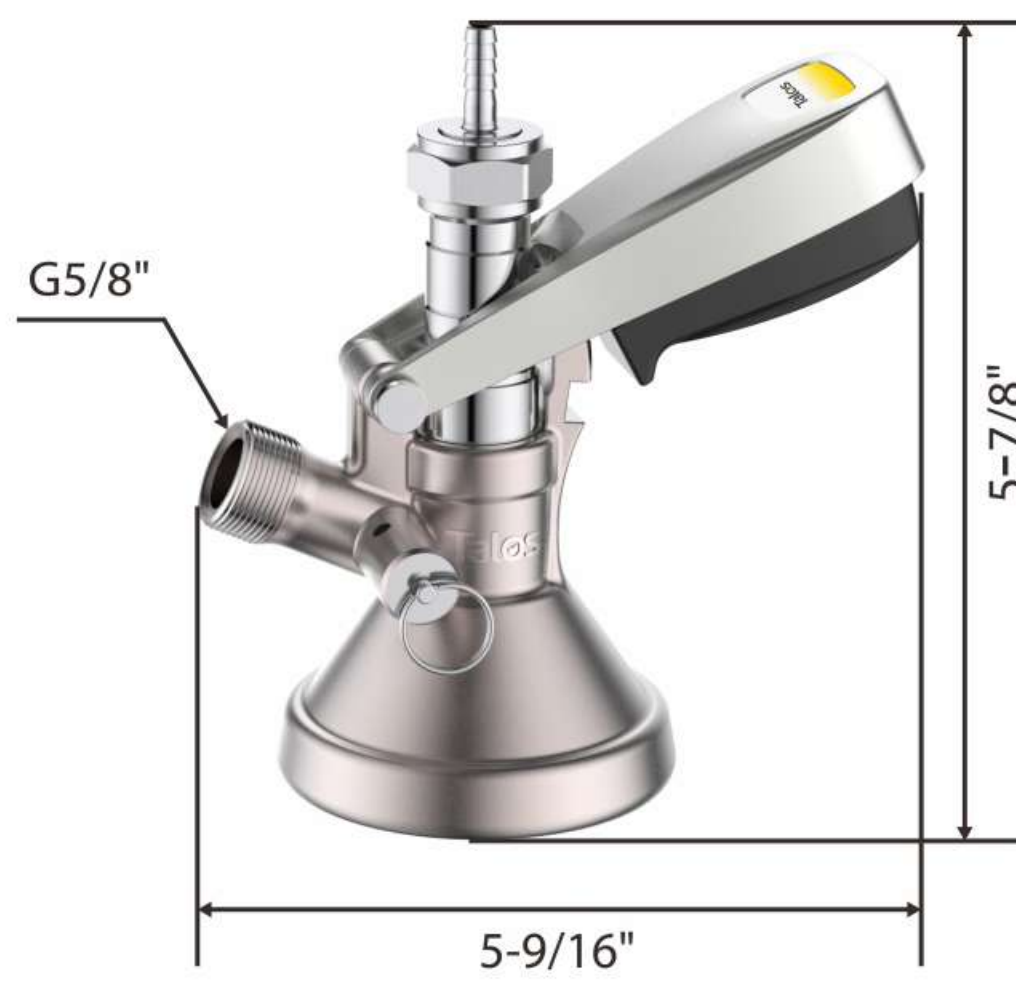


PART NO.: 1023618  
304 S.S Body, 304 S.S Probe  
Without Pressure Relief Valve



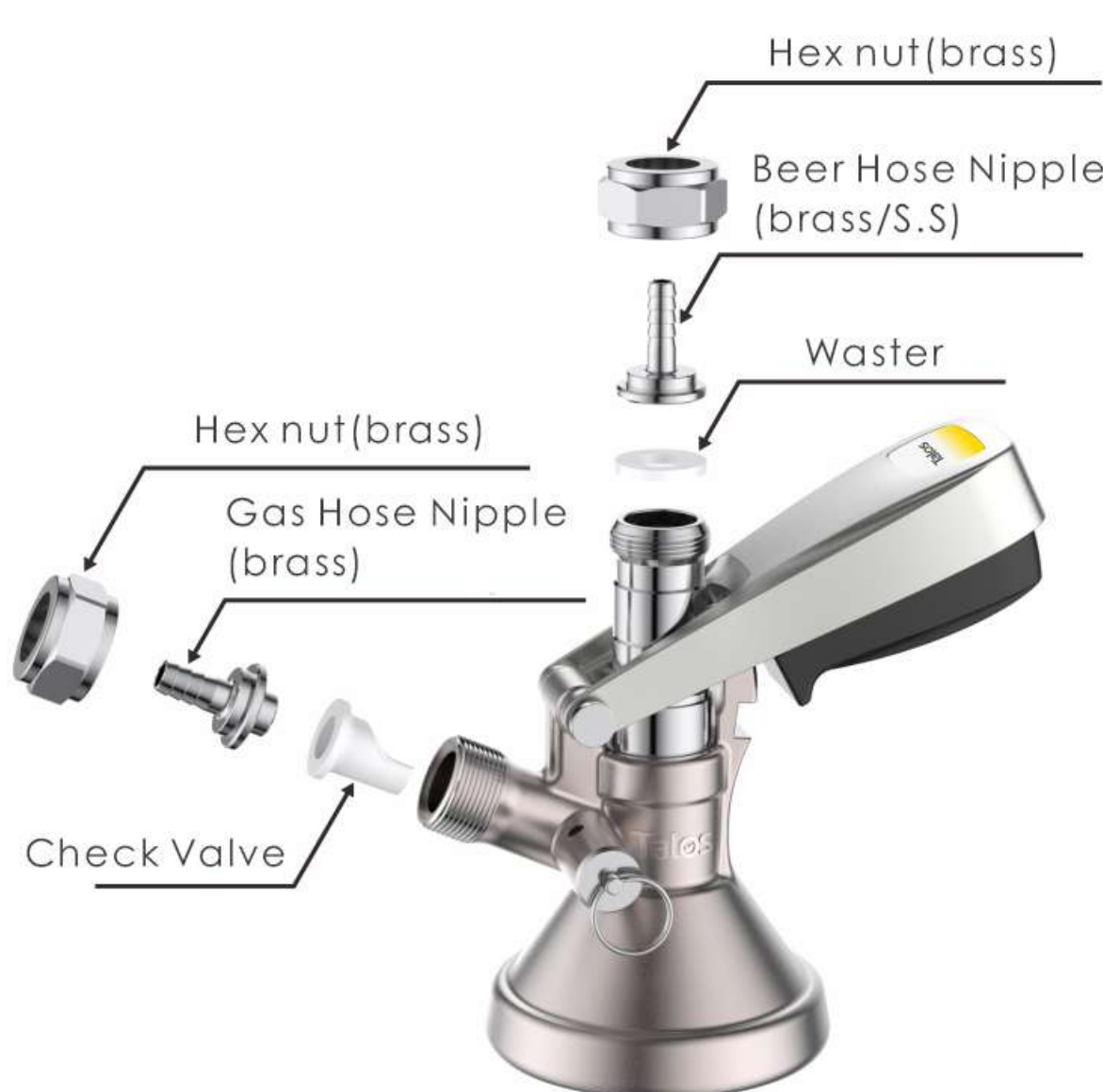
PART NO.: 1023601  
Tin-nickel Brass Body, 304 S.S Probe  
Without Pressure Relief Valve

## SPECIFICATIONS



Part No.	Probe	Body	Handle	Finish	PRV Working Pressure	Gas Hose Nipple
1023601	304 S.S	Brass	304 S.S	Tin-nickel Plated	/	φ8mm
1023618	304 S.S	304 S.S	304 S.S	S.S	/	φ8mm
1023701	304 S.S	Brass	304 S.S	Tin-nickel Plated	46~55 PSI	φ10mm
1023718	304 S.S	304 S.S	304 S.S	S.S	46~55 PSI	φ10mm

## REPLACEMENT PARTS



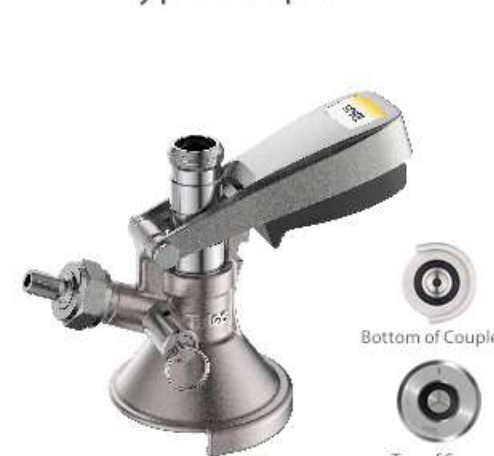
## PACKAGING INFORMATION



Part No.	N.W./PC (kg)	Inner Box Size	G.W./PC (kg)	Pcs/Ctn	Carton Size	G.W./Ctn
1023601	1.00	16.8cm Lx8.5cm Wx12cm H	1.10	20	44cm Lx35cm Wx26cm H	22.40
1023618	1.00	16.8cm Lx8.5cm Wx12cm H	1.10	20	44cm Lx35cm Wx26cm H	22.40
1023701	1.00	16.8cm Lx8.5cm Wx12cm H	1.10	20	44cm Lx35cm Wx26cm H	22.40
1023718	1.00	16.8cm Lx8.5cm Wx12cm H	1.10	20	44cm Lx35cm Wx26cm H	22.40

## PRODUCT SELECTION GUIDE

A Type Coupler



S Type Coupler



D Type Coupler



G Type Coupler



F Type Coupler



M Type Coupler



U Type Coupler

