

S TYPE KEG COUPLER



Optional with/ without pressure relief



Optional 304 S.S. / Tin-nickel Plated



OPTIONAL MODELS



PART NO.: 1025718
304S.S Body, 304 S.S Probe
With Pressure Relief Valve



PART NO.: 1025710
Tin-nickel Brass Body, 304 S.S Probe
With Pressure Relief Valve

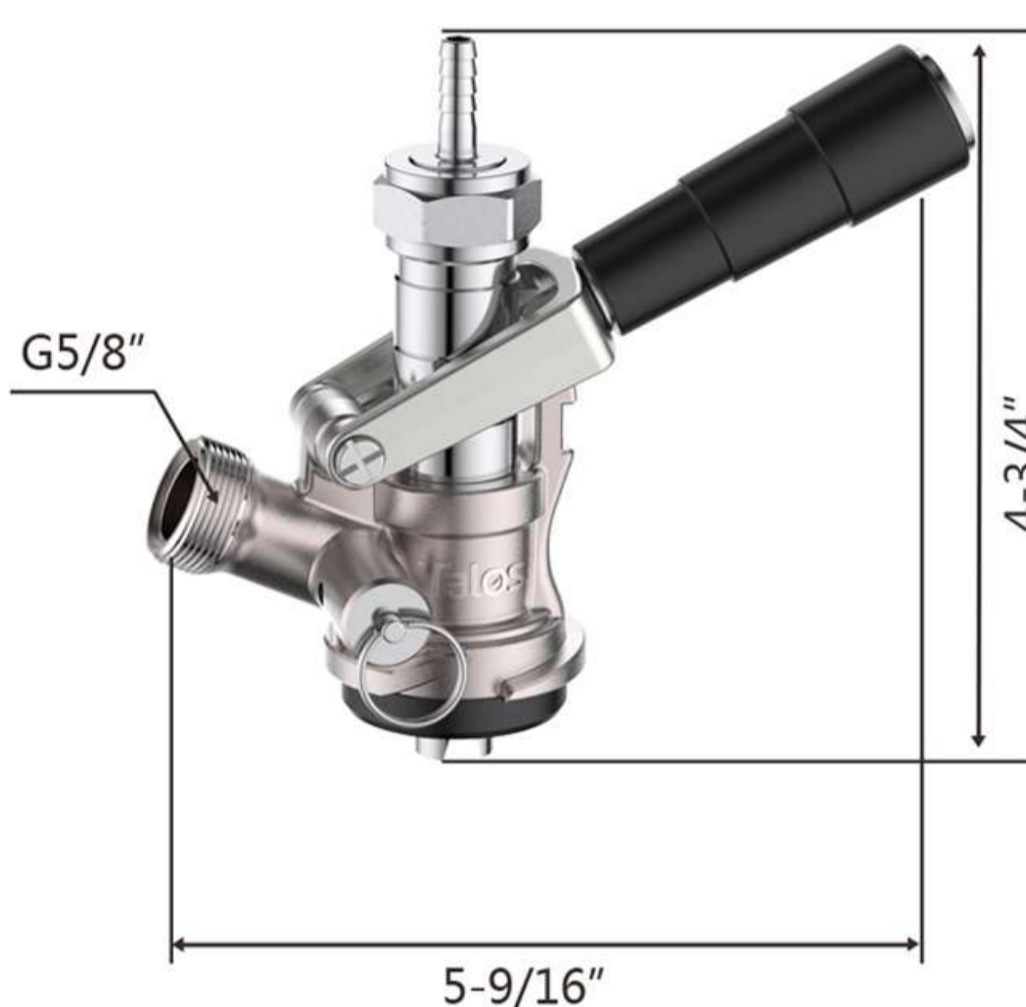


PART NO.: 1025618
304S.S Body, 304 S.S Probe
Without Pressure Relief Valve



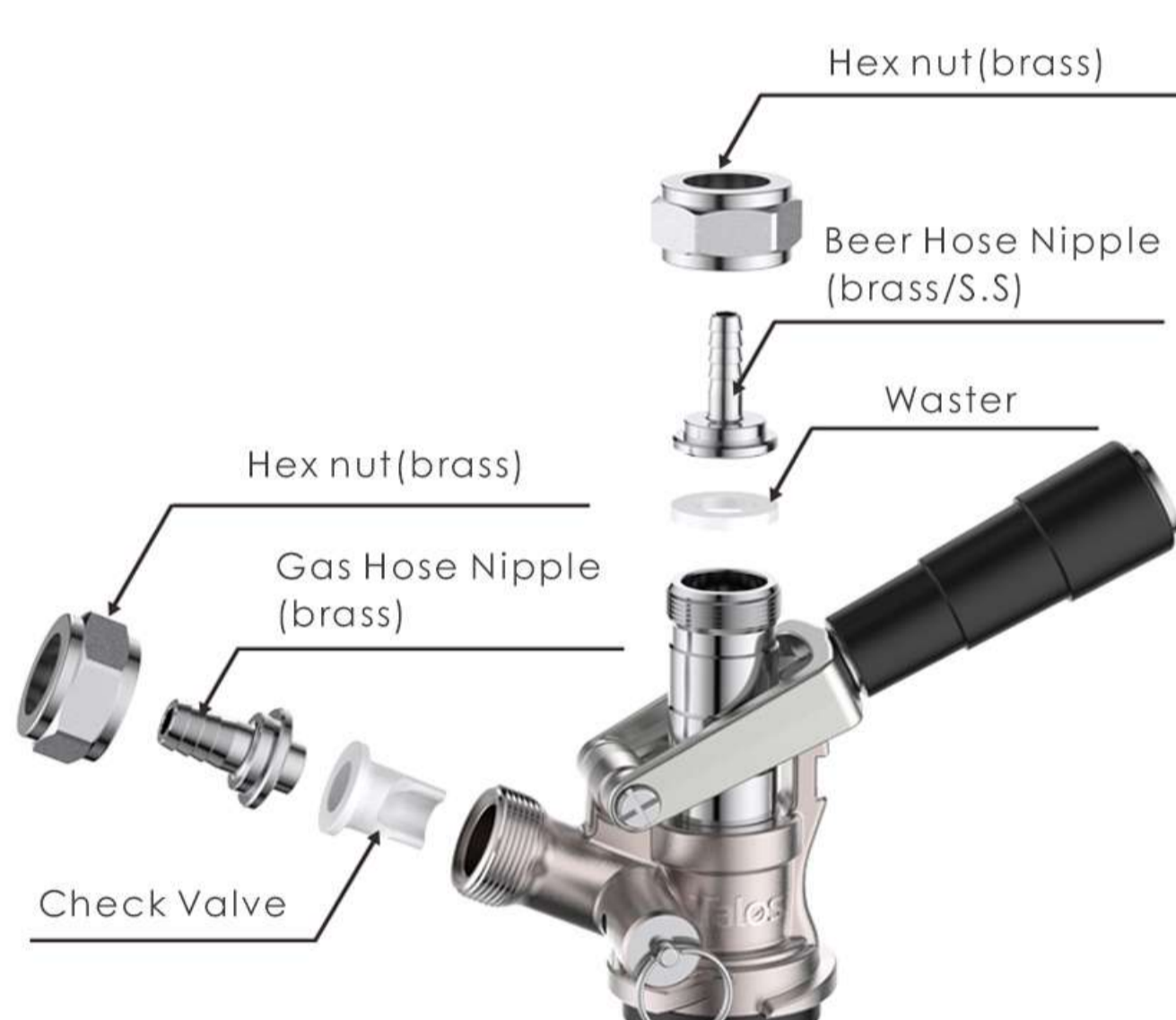
PART NO.: 1025601
Tin-nickel Brass Body, 304 S.S Probe
Without Pressure Relief Valve

SPECIFICATIONS



Part No.	Probe	Body	Handle	Finish	PRV Working Pressure	Gas Hose Nipple
1025601	304 S.S	Brass	304 S.S	Tin-nickel Plated	/	φ8mm
1025618	304 S.S	304 S.S	304 S.S	S.S	/	φ8mm
1025701	304 S.S	Brass	304 S.S	Tin-nickel Plated	46~55 PSI	φ10mm
1025718	304 S.S	304 S.S	304 S.S	S.S	46~55 PSI	φ10mm
1025704	304 S.S	Brass	Brass	Tin-nickel plated	46~55 PSI	φ10mm
1025720	304 S.S	304 S.S	304 S.S	S.S	46~55 PSI	φ10mm

REPLACEMENT PARTS



PACKAGING



Part No.	N.W./PC (kg)	Inner Box Size	G.W./PC (kg)	Pcs/Ctn	Carton Size	G.W./Ctn
1025601	0.62	17.5cm Lx10cm Wx6cm H	0.68	40	41.5cm Lx36.5cm Wx32cm H	28.00
1025618	0.62	17.5cm Lx10cm Wx6cm H	0.68	40	41.5cm Lx36.5cm Wx32cm H	28.00
1025701	0.62	17.5cm Lx10cm Wx6cm H	0.68	40	41.5cm Lx36.5cm Wx32cm H	28.00
1025718	0.62	17.5cm Lx10cm Wx6cm H	0.68	40	41.5cm Lx36.5cm Wx32cm H	28.00
1025704	0.52	17.5cm Lx10cm Wx6cm H	0.58	40	41.5cm Lx36.5cm Wx32cm H	24.00
1025720	0.52	17.5cm Lx10cm Wx6cm H	0.58	40	41.5cm Lx36.5cm Wx32cm H	24.00

PRODUCT SELECTION GUIDE

A Type Coupler



S Type Coupler



D Type Coupler



G Type Coupler



F Type Coupler



M Type Coupler



U Type Coupler

