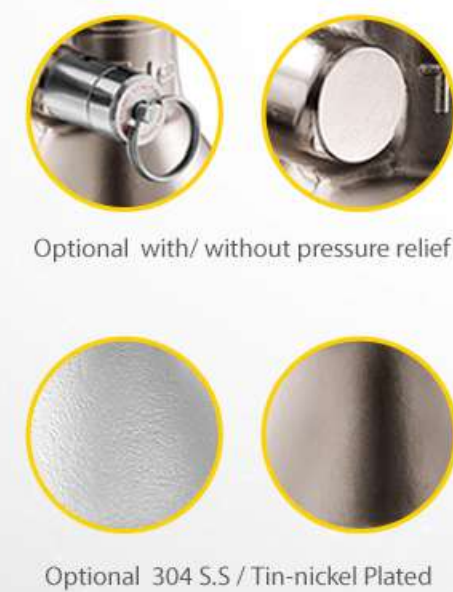


M TYPE KEG COUPLER



PRODUCT DISPLAY



PART NO.: 1024718
304S.S Body, 304 S.S Probe
With Pressure Relief Valve



PART NO.: 1024701
Tin-nickel Brass Body, 304 S.S Probe
With Pressure Relief Valve

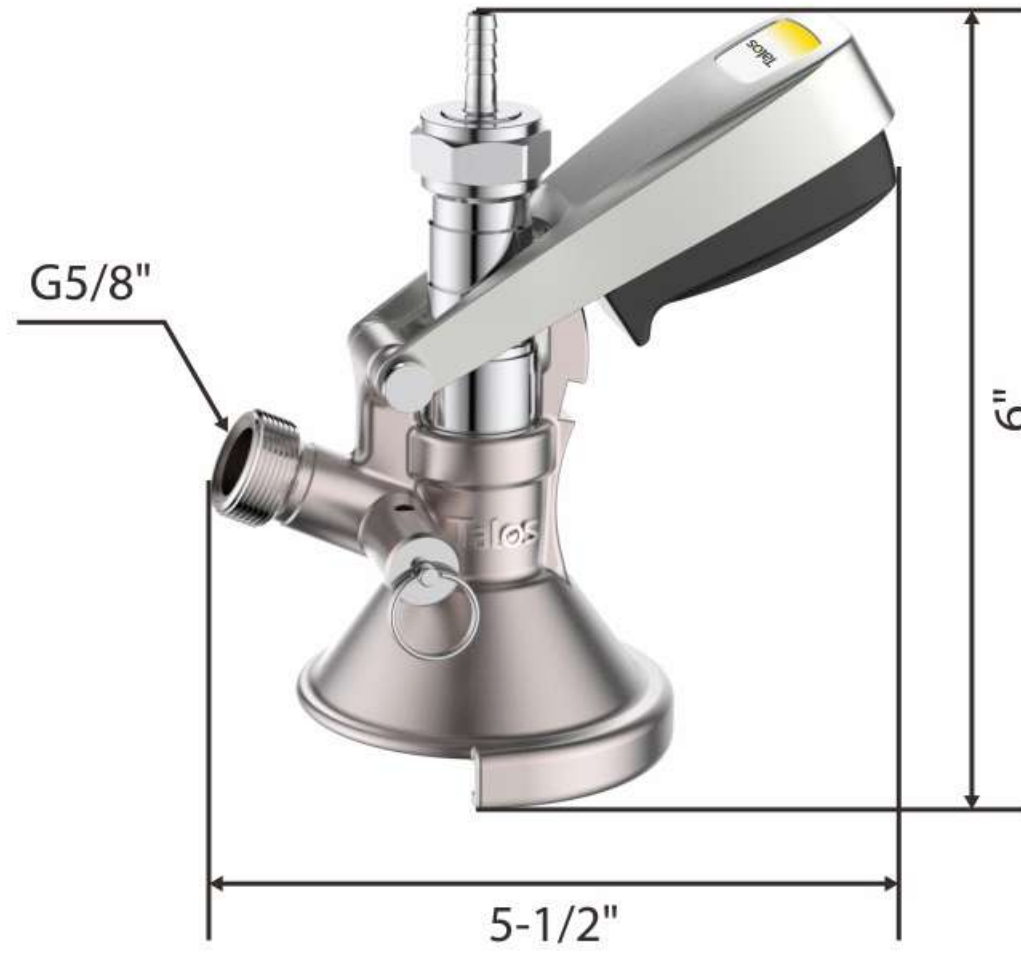


PART NO.: 1024618
304S.S Body, 304 S.S Probe
Without Pressure Relief Valve



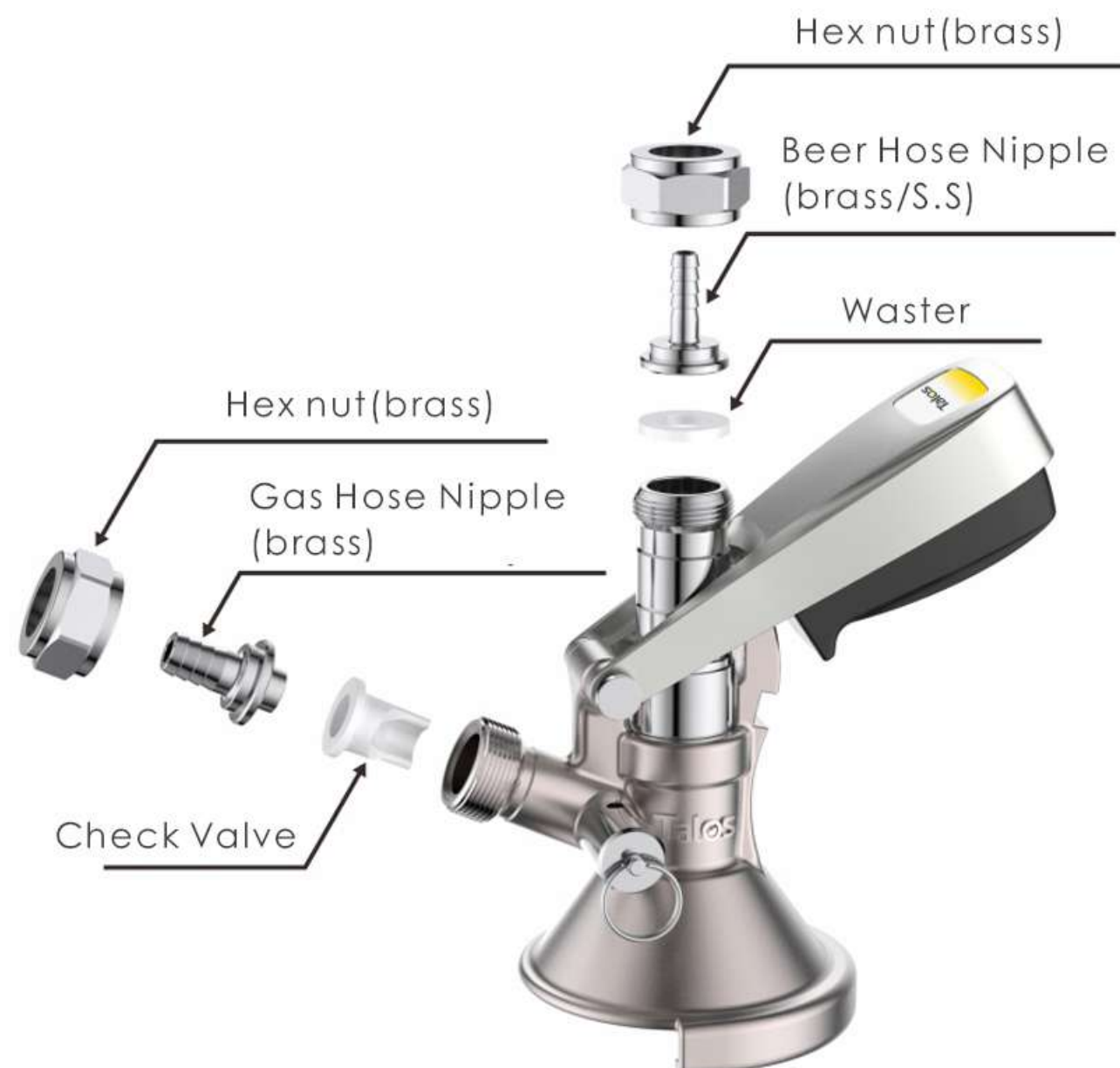
PART NO.: 1024601
Tin-nickel Brass Body, 304 S.S Probe
Without Pressure Relief Valve

SPECIFICATIONS



Part No.	Probe	Body	Handle	Finish	PRV Working Pressure	Gas Hose Nipple
1024601	304 S.S	Brass	304 S.S	Tin-nickel Plated	/	φ8mm
1024618	304 S.S	304 S.S	304 S.S	S.S	/	φ8mm
1024701	304 S.S	Brass	304 S.S	Tin-nickel Plated	46~55 PSI	φ10mm
1024718	304 S.S	304 S.S	304 S.S	S.S	46~55 PSI	φ10mm

REPLACEMENT PARTS



PACKAGING INFORMATION



Part No.	N.W./PC (kg)	Inner Box Size	G.W./PC (kg)	Pcs/ Ctn	Carton Size	G.W./Ctn
1024601	0.90	16.8cm Lx8.5cm Wx12cm H	1.00	20	44cm Lx35cm Wx26cm H	20.4
1024618	0.90	16.8cm Lx8.5cm Wx12cm H	1.00	20	44cm Lx35cm Wx26cm H	20.4
1024701	0.90	16.8cm Lx8.5cm Wx12cm H	1.00	20	44cm Lx35cm Wx26cm H	20.4
1024718	0.90	16.8cm Lx8.5cm Wx12cm H	1.00	20	44cm Lx35cm Wx26cm H	20.4

PRODUCT SELECTION GUIDE

